

Tractor dump semitrailer 1PTS-3,5

Designed and manufactured for transportation of various agricultural goods and materials like manure, sawdust, gravel, wood chips, compost, silage, grain, beets, as well as other bulk and single-piece goods, with the exception of rock fragments and cobblestones, on all types of roads and in the field.

The semi-trailer has the following versions:

- 1PTS-3,5 – without put-on sides;
- 1PTS-3,5N – with full metal put-on sides;
- 1PTS-3,5S – with mesh put-on sides.

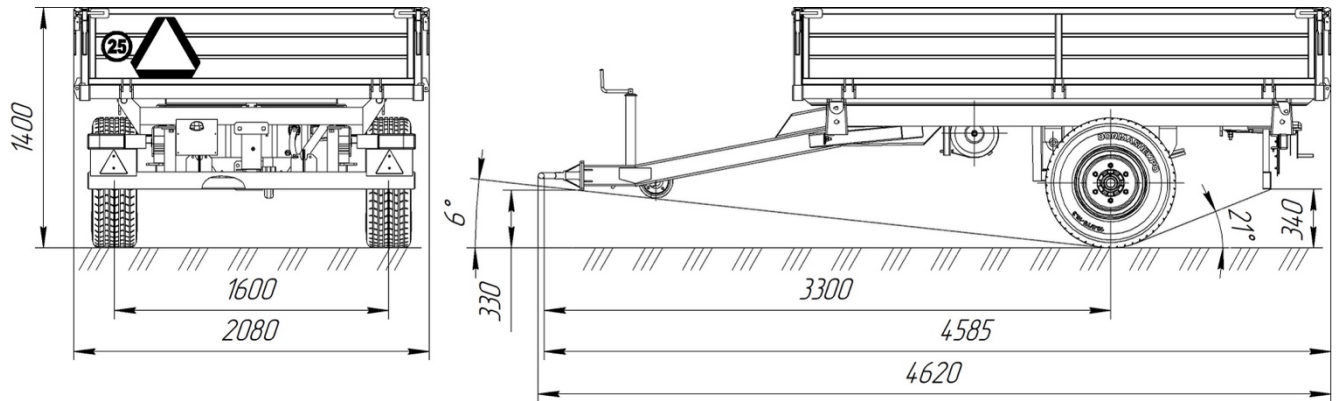


Image 1.1 – Semi-trailer 1PTS-3,5, basic version

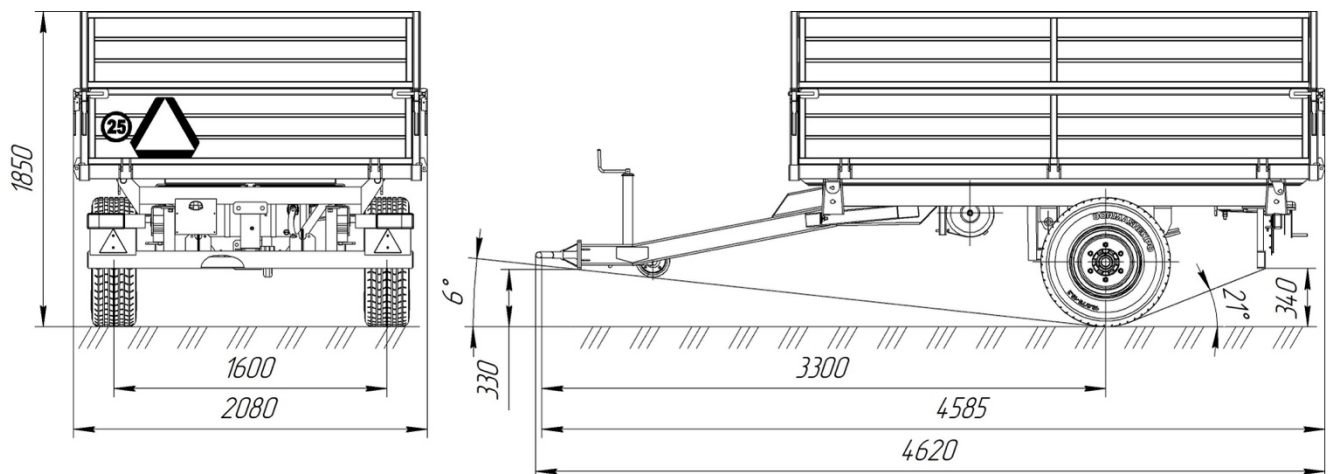


Image 1.2 – Semi-trailer version 1PTS-3,5N

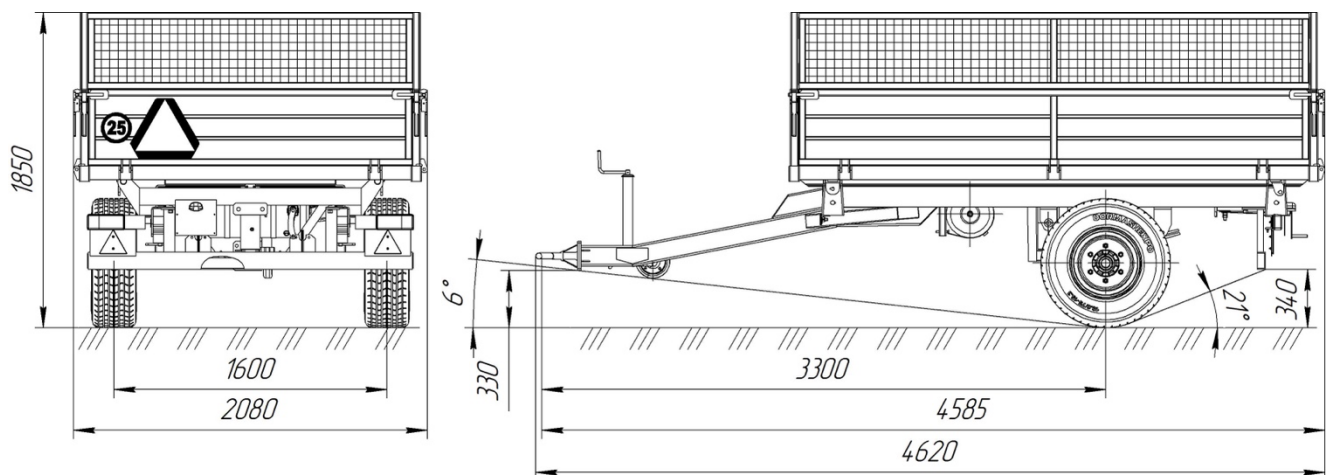


Image 1.3 – Semi-trailer version 1PTS-3,5S

Technical characteristics

| Parameter | Value | | |
|---|--------------------------|----------------------|----------------------|
| | 1PTS-3,5 | 1PTS-3,5N | 1PTS-3,5S |
| 1 Type | Semi-trailer | | |
| 2 Tractor drawbar category | 0,6-1,4 | | |
| 3 Trailer category | Ra3 | | |
| 4 Carrying capacity, kg, max | 3 500 | | |
| 5 Max speed, km/h, max | 25 | | |
| 6 Floor loading height, mm, max | 950 | | |
| 7 Unloading sides | 3 | | |
| 8 Axles number, pcs. | 1 | | |
| 9 Inner body size, mm, max - length - width | 3020 1920 | | |
| 10 Floor surface, m ² , max | 5,8 | | |
| 11 Sides height, mm, max - main sides - full metal put-on sides - mesh put-on sides | 450 — — | 450 450 — | 450 — 450 |
| 12 Body geometric volume / heaped capacity, m ³ , max | 2,6 / 3,7 | 5,2 / 6,3 | 5,2 / 6,3 |
| 13 Weight, kg, max - design gross weight - gross trailer weight (technical permissible) | 950 4450 | 1100 4600 | 1100 4600 |
| 14 Gross trailer weight distribution, kg, max - trailer hitch - axle | 700 3750 | 800 3800 | 800 3800 |
| 15 Overall dimensions, mm, max - length - width - height | 4620 2080 1400 | 4620 2080 1850 | 4620 2080 1850 |
| 16 Track width, mm, max | 1600 | | |
| 17 Ground clearance, mm, min | Leaf springs | | |
| 18 Body tipping angle, deg, min | 45 | | |
| 19 Tire size / inflation pressure, MPa | 10.0/75-15.3 PR14 / 0,55 | | |
| 20 Lifetime, years, min | 8 | | |
| 21 Hydraulic system working pressure, MPa, max | 20 | | |
| 22 Body lifting time, s, max | 500 | | |
| 23 Ground clearance, mm, min | 320 | | |
| 24 Brake system type | Single line air brake | | |
| 25 Brake mechanism type | Drum | | |
| 26 Parking brake | Manual mechanical | | |