

Tractor dump semi-trailer PTS-12NP

Designed and manufactured for transportation of various agricultural goods and materials like manure, sawdust, gravel, wood chips, compost, silage, grain, beets, as well as other bulk and single-piece goods, with the exception of rock fragments and cobblestones, on all types of roads and in the field.

The semi-trailer has the following versions:

- PTS-12NP - with 350 mm put-on sides and with a grain loader on the tailgate;

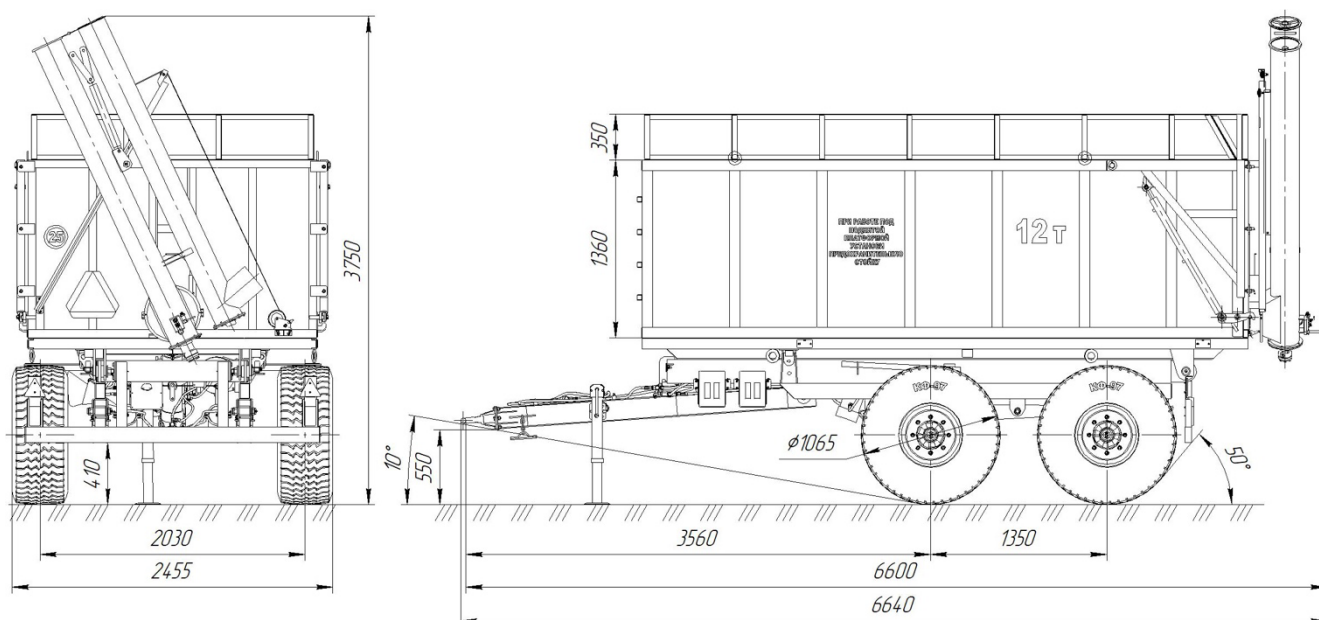


Image 1.4 – Semi-trailer version PTS-12NP

Technical characteristics

Parameter	Value
	PTS-12NP
1 Type	Semi-trailer
2 Tractor drawbar category	1,4-3
3 Trailer category	Ra3
4 Carrying capacity, kg, max	12 000
5 Max speed, km/h, max	25
6 Floor loading height, mm, max	1 300
7 Unloading sides	1
8 Axles number, pcs.	2
9 Inner body size, mm, max	
- length	4 540
- width	2 090
10 Floor surface, m ² , max	9,5
11 Sides height, mm, max	
- main sides	1360
- put-on sides	350
12 Body geometric volume / heaped capacity, m ³ , max	16,2 / 18,3
13 Weight, kg, max	
- design gross weight	3 850
- gross trailer weight (technical permissible)	15 850

14	Gross trailer weight distribution, kg, max - trailer hitch - axle Nr. 1 - axle Nr. 2	1 870 6 990 6 990
15	Overall dimensions, mm, max - length - width - height	6 640 2 455 3 750
16	Track width, mm, max	2030
17	Suspension	Leaf spring or bogie
18	Ground clearance, mm, min	410
19	Body tipping angle, deg, min	45
20	Tire size / inflation pressure, MPa	16.5/70-18PR14 / 0,41
21	Lifetime, years, min	8
22	Hydraulic system working pressure, MPa, max	20
23	Body lifting time, s, max	50