

TRACTOR DUMP TRAILER 2PTS-10

The trailer is designed to transport various agricultural goods, like manure, sawdust, gravel, wood chips, compost, silage, grain, beetroots, on all types of roads and in the field. Transportation of bulk building materials is allowed, with the exception of rocks and cobblestones.

This trailer model is available in following configurations:

- 2PTS-10 – basic trailer;
- 2PTS-10N – with full metal put-on sides;
- 2PTS-10S – with mesh put-on sides;
- 2PTS-10T – with framed tarp;
- 2PTS-10NT – with full metal put-on sides and framed tarp.

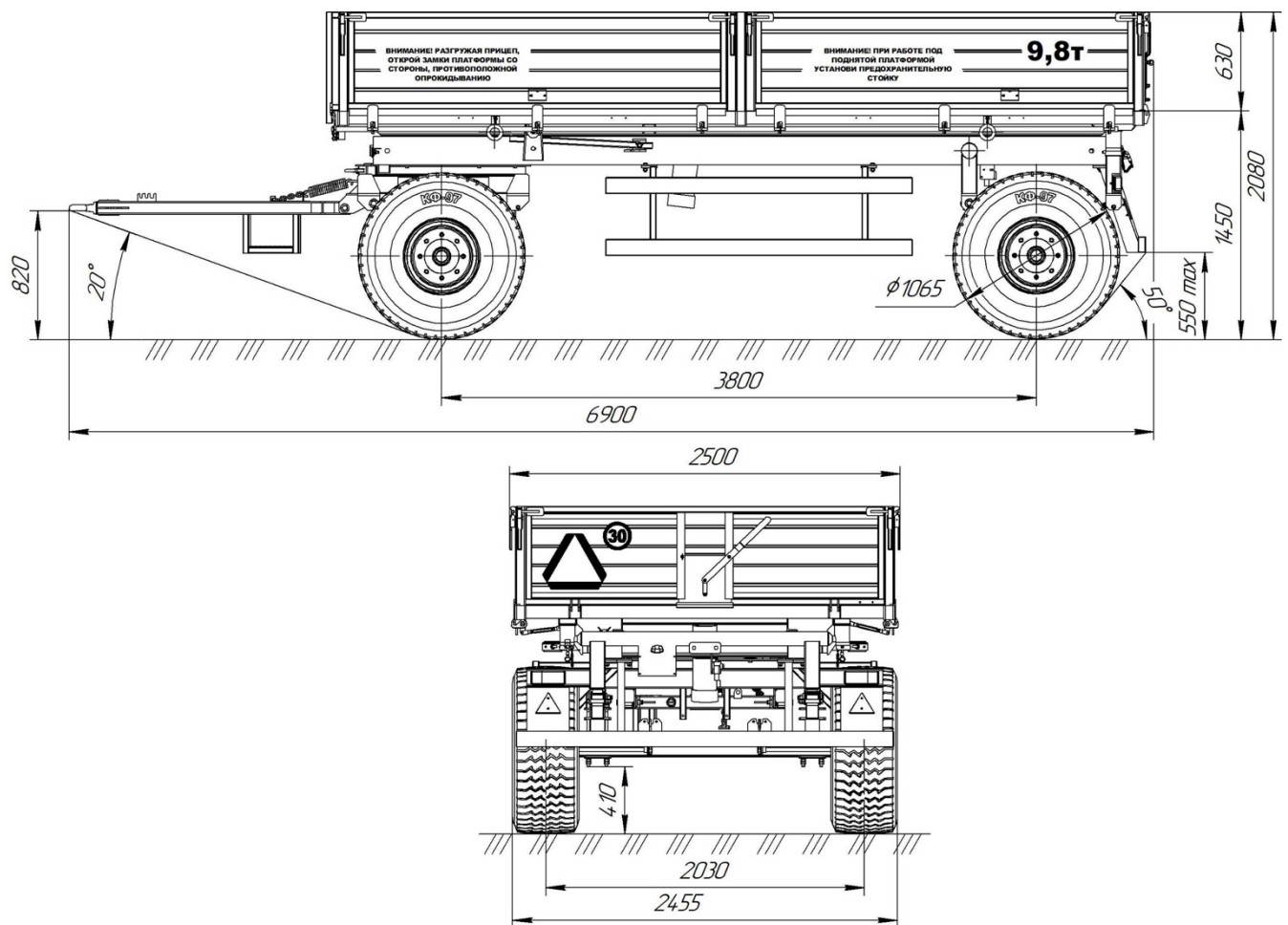


Image 1.1 – Trailer 2PTS-10, basic configuration

2PTS-10 Technical characteristics

Parameter	Value
	2PTS-10
1	2
1 Type	Trailer
2 Tractor drawbar category	1,4 и выше
3 Trailer category	Ra3
4 Lifting capacity, kg, max	9 800
5 Max speed, km/h - transport mode - working mode	30 18
6 Axle number, pcs.	2
7 Wheels per axle, pcs.	2
8 Track width, mm, min	2 030
9 Wheel base, mm, min	3 800
10 Unloading sides	3
11 Ground clearance, mm, min	410
12 Inner body dimensions, mm, max - length - width	5 050 2 330
13 Body floor surface, m ² , max	11,8
14 Sides height, mm, max - main sides - put-on sides	630 —
15 Body volume, m ³ , max	7,41
16 Body tipping angle, degrees, min	50
17 Body tipping time, s, max	50
18 Tires / Pressure, MPa	16.5/70-18PR14 / 0,41
19 Weight, kg, max - design gross weight (without options with basic tires) - full weight (technical permissible)	2 800 12 600
20 Weight distribution per axle, kg, max - axle Nr. 1 - axle Nr. 2	6 420 6 180
21 Overall dimensions, mm, max - length - width - height	6 900 2 455 2 080
22 Body floor loading height, mm, max	1 450
23 Manning level, persons	1
24 Working brake system - brake axle number - brake mechanism type - brake activation type - brake system scheme	2 drum pneumatic single line
25 Parking brake system	mechanical with manual drive
26 Suspension	Leaf springs
27 Lifetime, years, min	8
28 Hydraulic system working pressure, MPa, max	20