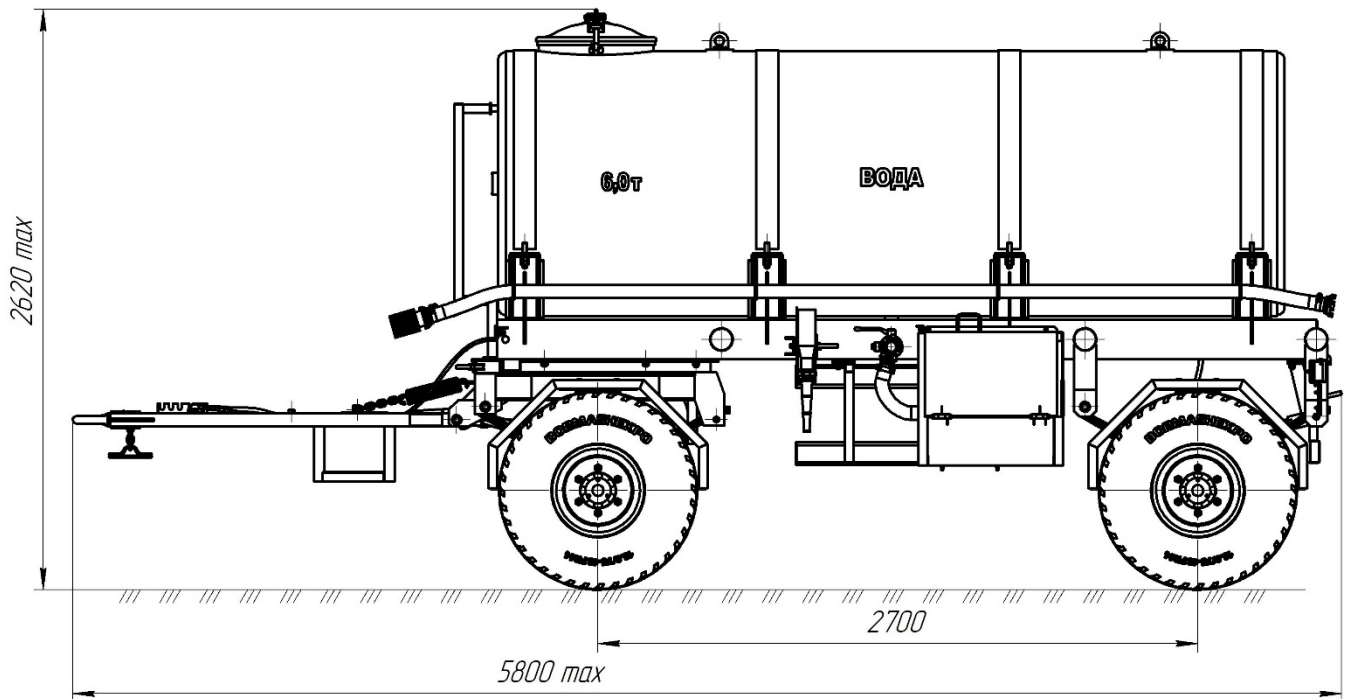


WATER SPRINKLER TANK MP-6

This special trailer is used for sprinkling open surfaces and roads to prevent overheating, for watering lawns and landscaped areas, for water delivery and supply by water pump from tank or open source, for tanking road construction machines.



Technical characteristics

Parameter	Value
1. Тип транспортного средства	Trailer
2. Vehicle category according to GOST 31286	O ₃
3. Tractor drawbar category	1,4 and higher
4. Lifting capacity, t, max	6
5. Max transport speed, km/h	25
6. Max weight, kg	
— design gross weight	2150
— full weight (technical permissible)	8150
7. Full weight axle distribution, kg:	
— axle Nr. 1, kg	4250
— tow hitch	3900
8. Tires	
— nominal size	13,0/75-16
— minimal ply number	14
— pressure, MPa	0,37
9. Suspension	Leaf springs

10. Frame type	Welded ladder frame
11. Max self-priming time from open source, min	23
12. Water supply tubes nominal size, suction / pressure, mm: – DN 50 – DN 80	50 / 50 80 / 50
13. Axle/wheel number, pcs.	2/4
14. Braked axles number, pcs.	2
15. Track width, mm	1930
16. Wheel base, mm	2700
17. Ground clearance, mm, min	340
18. Max overall dimensions, mm – length – width – height	5800 2270 2620

