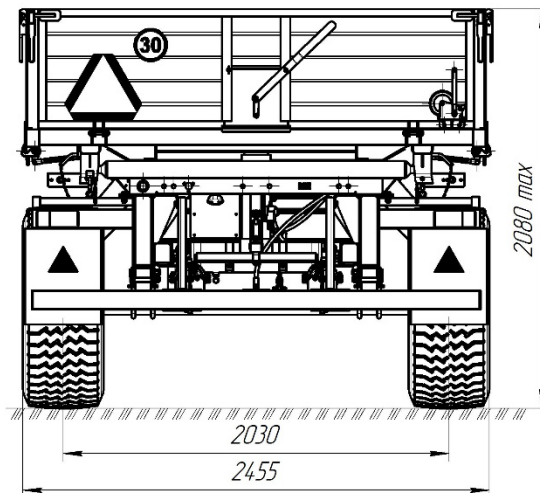
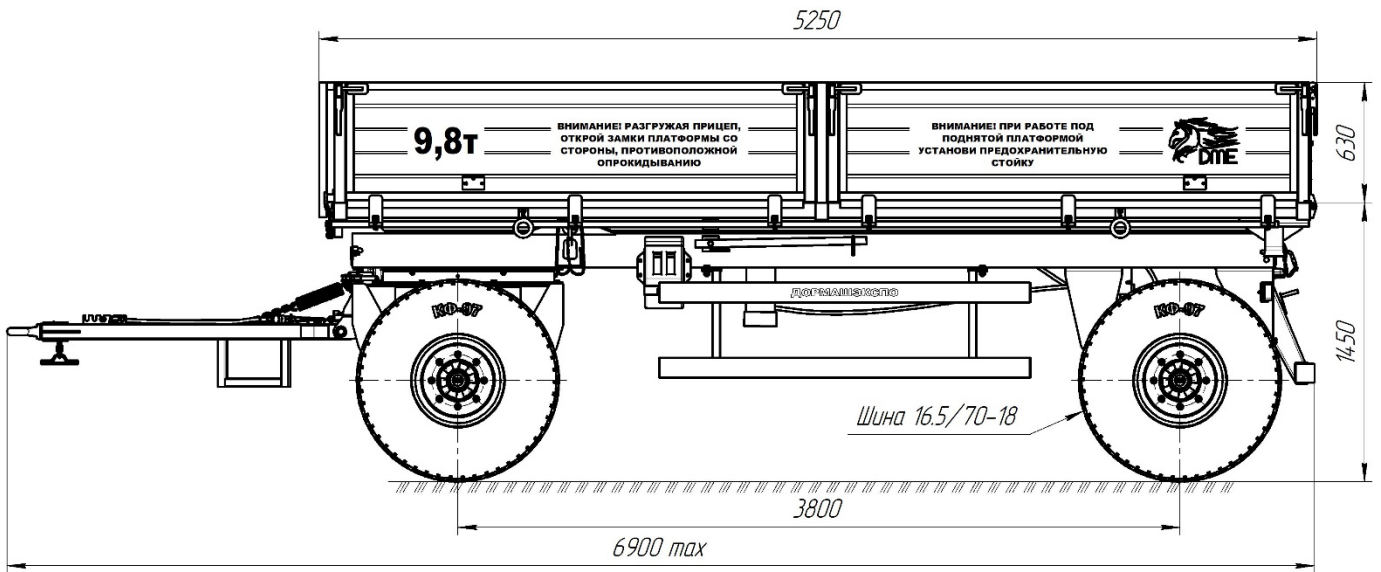


## TRACTOR DUMP TRAILER 2PTS-10 GRAIN CARRIER

This trailer is designed for grain transportation (grain crops). Transportation of wholesale packaging is allowed. Transportation of other various agricultural goods is allowed, taking into account the purpose of the trailer and its technical characteristics.

The tailgate is equipped with a special window with slide gate on it.



### Technical characteristics

Parameter	Value
1 Type	Trailer
2 Tractor drawbar category	1,4-3
3 Trailer category	Ra3
4 Lifting capacity, kg, max	9 800
5 Max speed, km/h - transport mode - working mode	30 18
6 Axle number, pcs.	2
7 Wheels per axle, pcs.	2
8 Wheel base, mm, min	3 800
9 Unloading sides	3
10 Tires / Pressure, MPa	16.5/70-18 PR14 / 0,41
11 Weight, kg, max - design gross weight (without options with basic tires) - full weight (technical permissible)	2 800 12 600
12 Weight distribution per axle, kg, max - axle Nr. 1 - axle Nr. 2	6 420 6 180
13 Overall dimensions, mm, max - length - width - height	6 900 2 500 2 080
14 Track width, mm, min	2 030
15 Inner body dimensions, mm, max - length - width	5 050 2 330
16 Sides height, mm, max	630
17 Body floor surface, m <sup>2</sup> , max	11,8
18 Body volume, m <sup>3</sup> , max	7,41
19 Ground clearance, mm, min	410
20 Body floor loading height with basic tires, mm, max	1 450
21 Body tipping angle, degrees, min	45
22 Body tipping time, s, max	50
23 Hydraulic system working pressure, MPa, max	20
24 Manning level, persons	1
25 Working brake system - brake axle number - brake mechanism type - brake activation type - brake system scheme	2 drum pneumatic single line dual line on request
26 Parking brake system	mechanical with manual drive
27 Lifetime, years, min	8