

## Tractor dump semi-trailer PTS-9CH

Designed and manufactured for transportation of various agricultural goods and materials like manure, sawdust, gravel, wood chips, compost, silage, grain, beets, as well as other bulk and single-piece goods, with the exception of rock fragments and cobblestones, on all types of roads and in the field.

The semi-trailer has the following versions:

- PTS-9CH - with 540 mm put-on sides (chip trailer).

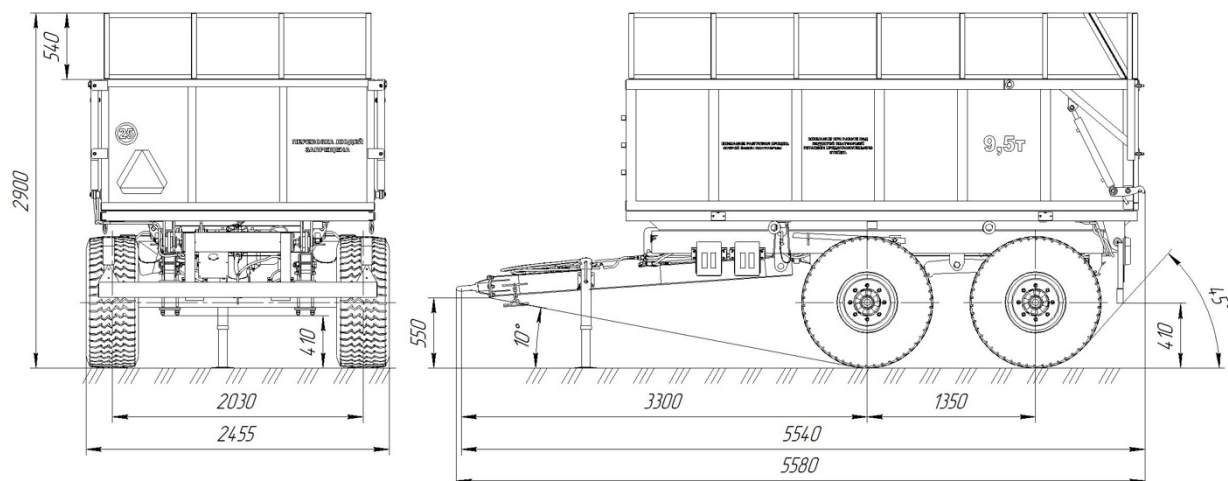


Image 1.5 – Semi-trailer version PTS-9CH (chip trailer)

### Technical characteristics

Parameter		Value
		PTS-9CH
1	Type	Semi-trailer
2	Tractor drawbar category	1,4-3
3	Trailer category	Ra3
4	Carrying capacity, kg, max	9500
5	Max speed, km/h, max	25
6	Floor loading height, mm, max	1300
7	Unloading sides	1
8	Axles number, pcs.	2
9	Inner body size, mm, max	
	- length	4040
	- width	2090
10	Floor surface, m <sup>2</sup> , max	8,4
11	Sides height, mm, max	
	- main sides	1060
	- put-on sides	540
12	Body geometric volume / heaped capacity, m <sup>3</sup> , max	13,5 / 15,3
13	Weight, kg, max	
	- design gross weight	3050
	- gross trailer weight (technical permissible)	12550
14	Gross trailer weight distribution, kg, max	
	- trailer hitch	1770
	- axle Nr. 1	5390
	- axle Nr. 2	5390

15	Overall dimensions, mm, max - length - width - height	5580 2455 2900
16	Track width, mm, max	2030
17	Suspension	Leaf spring or bogie
18	Ground clearance, mm, min	410
19	Body tipping angle, deg, min	45
20	Tire size / inflation pressure, MPa	16.5/70-18PR10 / 0,37
21	Lifetime, years, min	8
22	Hydraulic system working pressure, MPa, max	20
23	Body lifting time, s, max	50