

FRONT LOADER DME-1000 ON "BELARUS" TRACTOR BASE

Our loader DME-100 is used for loading and unloading operations, short distance bulk load transportation, mechanized roads, streets and yards cleaning from sand, snow and garbage, filling up trenches and holes, leveling operations, lifting and moving unit and package loads, bales, straw-manure.

Loader operation is allowed in different climate conditions at temperature range -40°C to +40°C.

The scope of supply is:

- tractor of drawbar category 1.4 (BELARUS-82.1, BELARUS-92P, BELARUS-92P.4, BELARUS-920, BELARUS-920.3, BELARUS-82.1-23/12-23/32, BELARUS-82.1-10/43, BELARUS-892) or drawbar category 2 (BELARUS-1221.2, BELARUS-1221.3);
- front-end tractor loader DME-1000-00;
- general purpose bucket DME-1000-01 or high-volume bucket DME-1000-05.

Front-end loader DME-1000-00, as well as implements can be sold separately.

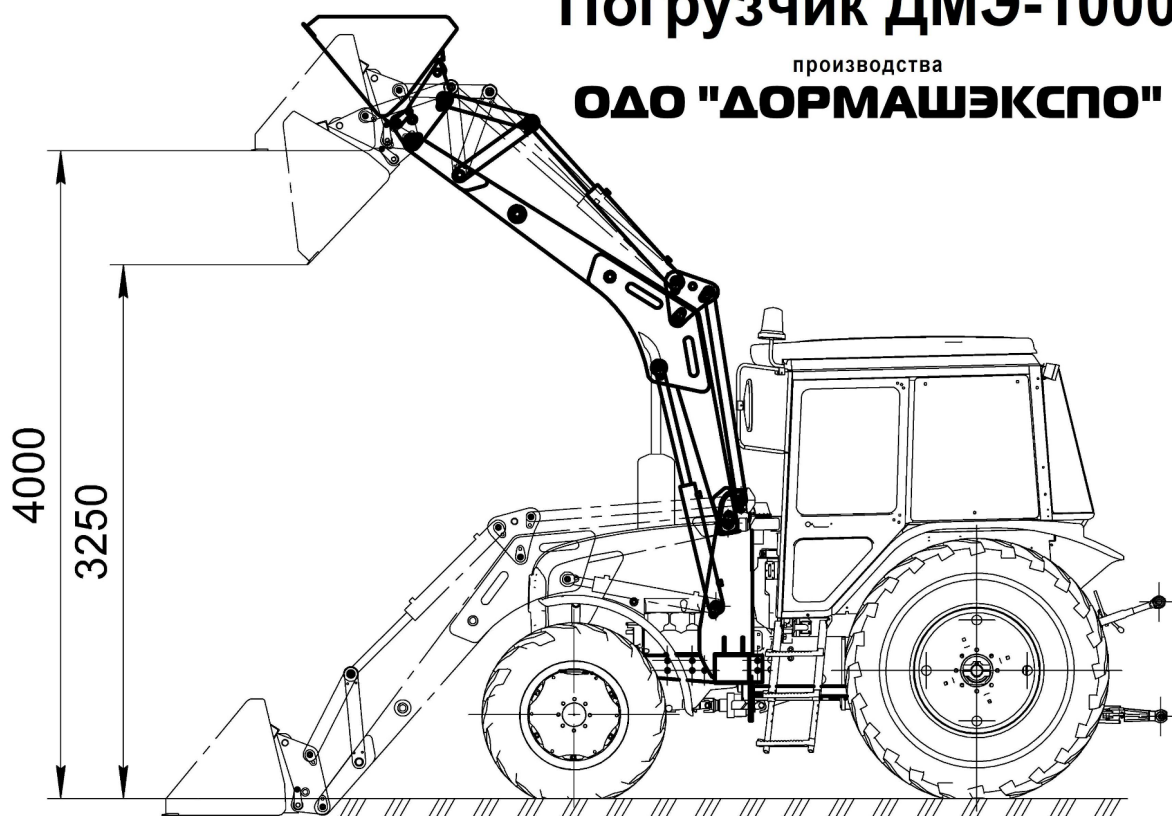
Following implements are offered for our loader at your request:

1. General purpose bucket DME-1000-01, nominal volume 0,44 m³;
2. Dozer blade DME-1000-02;
3. Pallet fork DME-1000-03;
4. Straw bale and manure grab DME-1000-04;
5. High-volume bucket DME-1000-05, nominal volume 0,80 m³;
6. Front snow blade DME-1000-06 (NO-79-020);
7. Multi-purpose bucket DME-1000-07, nominal volume 0,55 m³;
8. Muck fork with top DME-1000-08;
9. Big bale grabber DME-1000-09;
10. High-volume grain bucket DME-1000-10;
11. High-volume grain bucket with grab DME-1000-11;
12. High-volume bucket DME-1000-12;
13. Bayonet bale fork DME-1000-14
14. Muck fork DME-1000-15;
15. Road brush NO-86.

Погрузчик ДМЭ-1000

производства

ОАО "ДОРМАШЭКСПО"



TECHNICAL CHARACTERISTICS

Parameter		Value
Tractor chassis drawbar category		1,4 – 2,0
Engine		Diesel D-243 / D-245.5 turbocharged
Transmission	Mechanical 9/2 speed, or mechanical 9/8 with reverse gear, single-lever gearbox control with 9th gear lock	
Max. speed, km/h:		
- driving	18 (45)	
- working	10	
Track width, mm:		
- front wheels	1 450 – 1 990	
- rear wheels	1 400 – 2 100	
Max. hydraulic system working pressure (by relief valve settings), MPa		20
Max. overall dimensions in basic configuration, mm:		
- length	5 400	
- width	as tractor	
- height	as tractor	
Max. operating weight, kg		4 975
Diesel fuel consumption ("Belarus 92P with D -245.5 engine), liter / machine-hour		
- driving mode	6,0	
- bucket operation, loading/unloading	5,0	
Electric system nominal voltage, V		12
Specific cumulative maintenance operating man-hour expenditure		0,027
80% service life till 1 st overhaul, hours, min		8 000
Loader's lifetime at average annual use 1 000 hours, years		8
Maintenance personnel		1 (operator)
Lifting capacity, kg		1 000
Working implements' unloading height, m:		
- bucket (0, 64 – 0,8) m ³	4,0	
- pallet fork (with grab)	4,0	
- straw bale and manure grab	4,5	
Working implements' own weight, kg		
- general purpose bucket DME-1000-01	225	
- dozer blade DME-1000-02	220	
- pallet fork DME-1000-03;	145	
- straw bale and manure grab DME-1000-04;	245	
- oversize bucket DME-1000-05	275	
- front snow blade DME-1000-06;	175	
- multi-purpose bucket DME-1000-07	380	
- muck fork with top DME-1000-08;	280	
- big bale grabber DME-1000-09.	180	
- road brush NO-86	400	

IMPLEMENTS

IMAGE

1. GENERAL-PURPOSE BUCKET DME-1000-01

Basic function of the general-purpose bucket DME-1000-01 is loading and unloading, auxiliary excavation, removal of shrubs and stumps, loosening the soil, collecting construction debris,

Technical characteristics

Unloading height, m	4,0
Volume, m ³	0,64
Width, m	2,01
Weight, kg	225



2. DOZER BLADE DME-1000-02

Dozer blade DME-1000-02 is used for earthmoving and leveling operations, snow removal. Dozer blade is a welded structure with knives mounted on it.

Technical characteristics

Unloading height, m	2,1
Weight, kg	220
Working width, m	2,1
Height, m	0,65



3. PALLET FORK DME-1000-03

Pallet fork DME-1000-03 is used for loading and unloading operations with packed loads on pallets. The fork implement consists of welded frame and two forks, which are hanged on the axle mounted between the sidepieces of the frame. Distance between forks can be changed by moving them along the axles, after placing the forks in the right position they are fixed by bolted stoppers.

Technical characteristics

Unloading height, m	4,0
Weight, kg	145



4. STRAW BALE AND MANURE GRAB DME-1000-04

Straw bale and manure grab DME-1000-04 is used for grabbing and loading hay bales, straw wads, straw manure and other agricultural loads. This grab consists of tine on one end connected to quick change system of the loader. On the other end of the tine are mounted two rake jaws which are opened and closed by a hydraulic cylinder and a linkwork.

Technical characteristics

Unloading height, m	4,5
Weight, kg	245



5. HIGH VOLUME BUCKET DME-1000-05

High volume bucket DME-1000-05 is used for sniffing and loading of loose and bulky materials. Design of this bucket is similar to general purpose bucket's one. The main difference is in larger geometrical sizes and increased volume. The high volume bucket simplifies snow removal from larger surfaces and loading of high volume loads of low density. High volume bucket increases the productivity of the tractor comparing to general purpose bucket. It is very important to not exceed load limit on the loader when working with this bucket.

Technical characteristics

Unloading height, m	3,8
Lifting capacity, kg	1 000
Volume, m ³	0,8
Width, m	2,01
Weight, kg	196



6. FRONT SNOW BLADE DME-1000-06 (NO-79-020)

Front snow blade NO-79-020 is used for snow or debris removal on roads and open surfaces. The snow blade is a welded construction with bolted knives from reinforced rubber (knives set - 5 pcs., size 200x550x40 (30) mm).

Technical characteristics

Width, m	2,5
Other front plate width	option
Blade tilt angle, degrees	30
Weight, kg	175



7. MULTI-PURPOSE BUCKET DME-1000-07

Multi-purpose bucket consists of two main parts. Moving part (jaw) is driven by hydraulic cylinders. Front loader with this attachment becomes more functions and it's productivity is increased by 30%.

Multi-purpose bucket can be used as:

- general purpose bucket (closed position) for loading non-free-running and free-running goods (earth, sand, snow, grain, mineral fertilizers and other);
- cargo grab;
- dozer blade (open position) for surface cleaning and light leveling works.

Technical characteristics

Unloading height, m	4,0
Nominal volume, m ³	0,55
Width, m	2,01
Weight, kg	380



8. MUCK FORK WITH GRAB DME-1000-08

Due to design muck fork is able to grab, fix and move different types of loads, like hay, straw, reservoirs, wood boards, tree limbs and materials of many different forms. Grab holds the loads to avoid movement during transportation.

Technical characteristics

Lifting capacity, kg	1 000
Length, m	1,48
Width, m	1,6
Height, m	0,55
Weight, kg	280



9. BIG BALE GRABBER DME-1000-09

Big bale grabber is used for loading, unloading and short distance transportation of bales of different forms and sizes. It is mainly used at animal farms during forage preparation for loading, transportation and piling of hay, straw and silage bales. Grabber can be used with any packed loads.

Technical characteristics

Lifting capacity, kg	750
Loading height, m	3,8



10. HIGH VOLUME GRAIN BUCKET DME-1000-10

This is special bucket to handle free-running materials. Is widely used for loading of coal, sawdust, grain, grass, compost, mixed cattle feed.

Technical characteristics

Volume, m ³	0,90
Width, m	2,01



11. HIGH VOLUME GRAIN BUCKET WITH GRAB DME-1000-11

This is special bucket to handle free-running materials. The grab on top can press free-running materials like hay, mixed cattle feed, wood chips, manure, garbage, waste paper, castoff clothing.

Technical characteristics

Volume, m ³	0,90
Width, m	2,01



12. HIGH VOLUME BUCKET DME-1000-12

High volume bucket DME-1000-05 was designed for collecting and loading of loose and free-running materials and it's similar to general purpose bucket. The main difference is in larger geometrical dimensions and larger volume. The high volume bucket simplifies snow removal from larger surfaces and loading of high volume loads of low density. High volume bucket increases the productivity of the tractor comparing to general purpose bucket. It is very important to not exceed load limit on the loader when working with this bucket.

Technical characteristics

Volume, m ³	1,00
Width, m	2,01



13. BAYONET BALE FORK DME-1000-14

This attachment for loader DME-1000-14 on "Belarus" tractor base was designed for handling different straw and hay bales.

Technical characteristics

Lifting capacity, kg	750
Bale diameter, m, max.	1,8
Loading height, m	4,0



14. MUCK FORK DME-1000-15

Due to design muck fork is able to move different types of loads, like hay, straw, silage and unstack hay and straw.



15. ROAD BRUSH NO-86 TR RB 190126015.001-2004

This rotary brush is used for mechanized cleaning of roads, streets, sidewalks and open surfaces and removal of sand, garbage and snow. This attachment can be used in U1 climate conditions at temperature range -40°C to +40°C according to GOST 15150.

Technical characteristics

Width, m	2,3
Working width, m	2,0
Working width at 30° tilt, m	1,8
New-fallen snow cover height, m, max	0,5
Total brush diameter, m	0,55
Weight, kg	400

